

**SOLE**  
FITNESS

**OWNER'S MANUAL**  
**Model: 16808940810-1**  
**CC81 Cardio Climber**

*Please carefully read this entire manual  
before operating .*

**ATTENTION:** *Before returning your Sole product to any retailer, or if you require any assistance with assembly or technical support please call us first for assistance at 1-888-707-1880. Thank you for your Sole purchase.*

# TABLE OF CONTENTS

<u>Product Registration</u>	<b>3</b>
<u>Important Safety Instructions</u>	<b>4</b>
<u>Important Electrical Instructions</u>	<b>5</b>
<u>Important Operation Instructions</u>	<b>5</b>
<u>Transport Instructions</u>	<b>5</b>
<u>CC81 Assembly Instructions</u>	<b>7</b>
<u>Operation of Your New Fitness Climber</u>	<b>13</b>
<u>Maintenance Menu in Console Software</u>	<b>18</b>
<u>Exploded View Diagram</u>	<b>19</b>
<u>Parts List</u>	<b>20</b>
<u>Manufacturer's Limited Warranty</u>	<b>24</b>

## **ATTENTION**

THIS FITNESS CLIMBER IS INTENDED FOR RESIDENTIAL USE ONLY AND IS WARRANTED FOR THE APPLICATION. ANY OTHER APPLICATION VOIDS THIS WARRANTY IN ITS ENTIRETY.

Ver. D

# SOLE

## FITNESS

CONGRATULATIONS ON YOUR NEW CLIMBER AND WELCOME TO THE SOLE FAMILY!

Thank you for your purchase of this quality Sole climber from Dyaco Canada Inc. Your new climber has been manufactured by one of the leading fitness manufacturers in the world and is backed by one of the most comprehensive warranties available. Dyaco Canada Inc. will do all we can to make your ownership experience as pleasant as possible for many years to come.

If you have any questions about your new Sole product or questions about the warranty, contact Dyaco Canada Inc. at 1-888-707-1880.

Please take a moment at this time to record below the name of the dealer, their telephone number, and the date of purchase for easy contact in the future. We appreciate your confidence in SOLE, and we will always remember that you are the reason that we are in business. Please go to [www.dyaco.ca/warranty.html](http://www.dyaco.ca/warranty.html) and complete the online warranty registration.

Yours in Health,  
Dyaco Canada Inc.

Name of Dealer \_\_\_\_\_

Telephone Number of Dealer \_\_\_\_\_

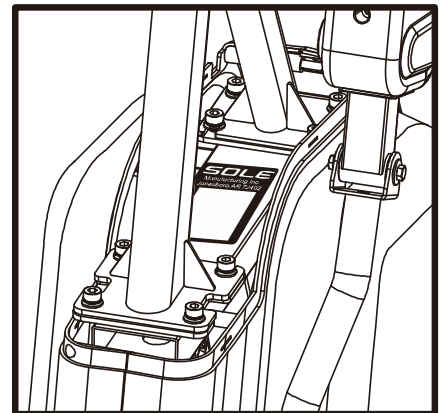
Purchase Date \_\_\_\_\_

### PRODUCT REGISTRATION

#### RECORD YOUR SERIAL NUMBER

Please record the Serial Number of this fitness product in the space provided below.

Serial Number \_\_\_\_\_



#### REGISTER YOUR PURCHASE

Please visit us at [www.dyaco.ca/warranty.html](http://www.dyaco.ca/warranty.html) to register your purchase.

# IMPORTANT SAFETY INSTRUCTIONS

**WARNING**- Read all instructions before using this equipment.

**DANGER**- To reduce the risk of electric shock, disconnect your SOLE climber from the electrical outlet prior to cleaning and/or service work.

**WARNING**- To reduce the risk of burns, fire, electric shock, or injury to persons, install the climber on a flat level surface with access to a 120-volt, 15 amp grounded outlet with only the climber plugged into the circuit.

## **DO NOT USE AN EXTENSION CORD UNLESS IT IS A 16 AWG OR BETTER.**

- Do not operate climber on deeply padded, plush or shag carpet. Damage to both carpet and climber may result.
- Keep children under the age of 13 away from this machine. There are obvious pinch points and other caution areas that can cause harm.
- Keep hands away from all moving parts.
- Never operate the climber if it has a damaged cord or plug. If the climber is not working properly, call your dealer.
- Keep the cord away from heated surfaces.
- Do not operate where aerosol spray products are being used or where oxygen is being administered. Sparks from the motor may ignite a highly gaseous environment.
- Never drop or insert any object into any openings.
- Do not use outdoors.
- To disconnect, turn all controls to the off position and then remove the plug from the outlet.
- Do not attempt to use your climber for any purpose other than for the purpose it is intended.
- The hand pulse sensors are not medical devices. Various factors, including the user's movement, may affect the accuracy of heart rate readings. The pulse sensors are intended only as exercise aids in determining heart rate trends in general.
- Wear proper shoes. High heels, dress shoes, sandals or bare feet are not suitable for use on your climber. Quality athletic shoes are recommended to avoid leg fatigue.
- This equipment is not intended for use by persons with reduced physical, sensory or mental capabilities or lack of experience and knowledge unless they have been given supervision or instruction concerning use of the equipment by a person responsible for their safety.

**SAVE THESE INSTRUCTIONS - THINK SAFETY!**

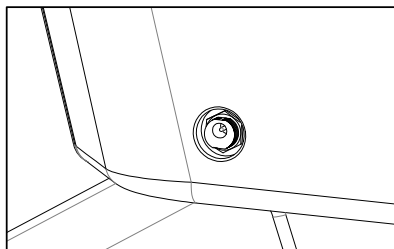
# IMPORTANT ELECTRICAL INSTRUCTIONS

## WARNING!

- **NEVER** remove any cover without first disconnecting DC power.
- If voltage varies by ten percent (10%) or more, the performance of your fitness climber may be affected. **Such conditions are not covered under your warranty.** If you suspect the voltage is low, contact your local power company or a licensed electrician for proper testing.
- **NEVER** expose this fitness climber to rain or moisture. This product is **NOT** designed for use outdoors, near a pool or spa, or in any other high humidity environment. The operating temperature specification is 40 to 120 degrees Fahrenheit, and humidity is 95% non-condensing (no water drops forming on surfaces).

# IMPORTANT OPERATION INSTRUCTIONS

- **NEVER** operate this climber without reading and completely understanding the results of any operational change you request from the computer.
- Understand that changes in resistance do not occur immediately. Set your desired resistance level on the computer console and release the adjustment key. The computer will obey the command gradually
- **NEVER** use your climber during an electrical storm. Surges may occur in your household power supply that could damage climber components. Unplug the climber during an electrical storm as a precaution.
- Use caution while participating in other activities while using your climber, such as watching television, reading, etc. These distractions may cause you to lose balance, which may result in serious injury.
- Always hold on to a handlebar while making control changes.
- Do not use excessive pressure on console control keys. They are precision set to function properly with little finger pressure. If you feel the buttons are not functioning properly with normal pressure, contact your SOLE dealer.



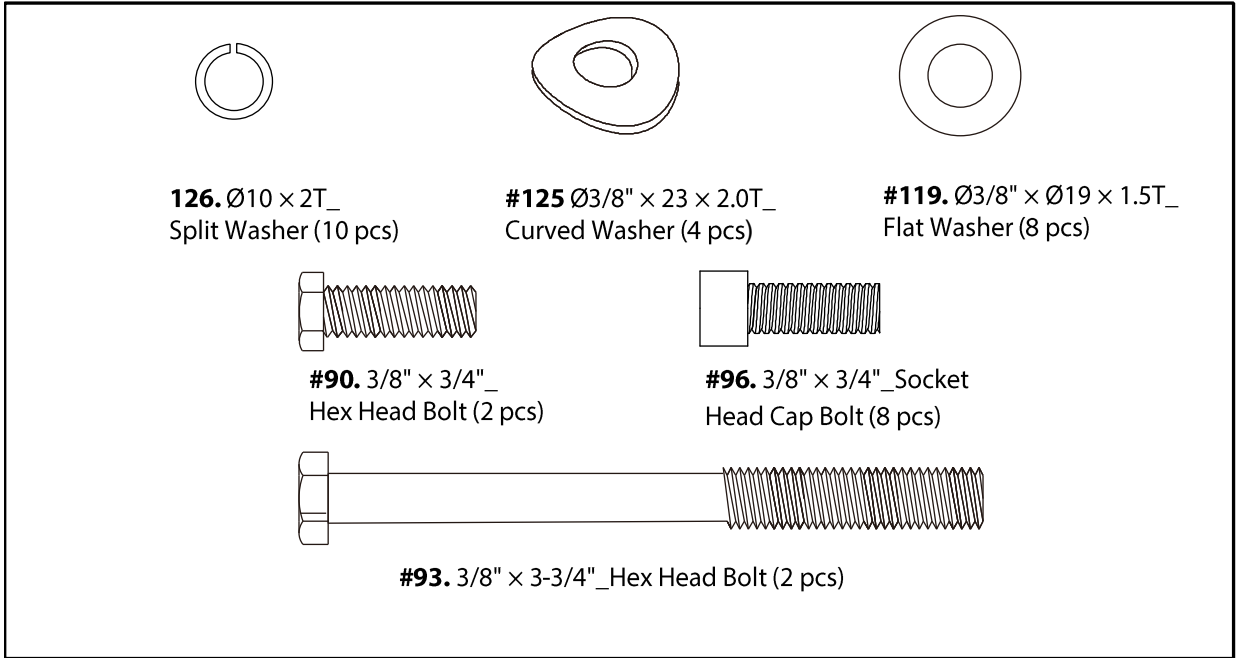
DC Power Connector Location

# TRANSPORT INSTRUCTIONS

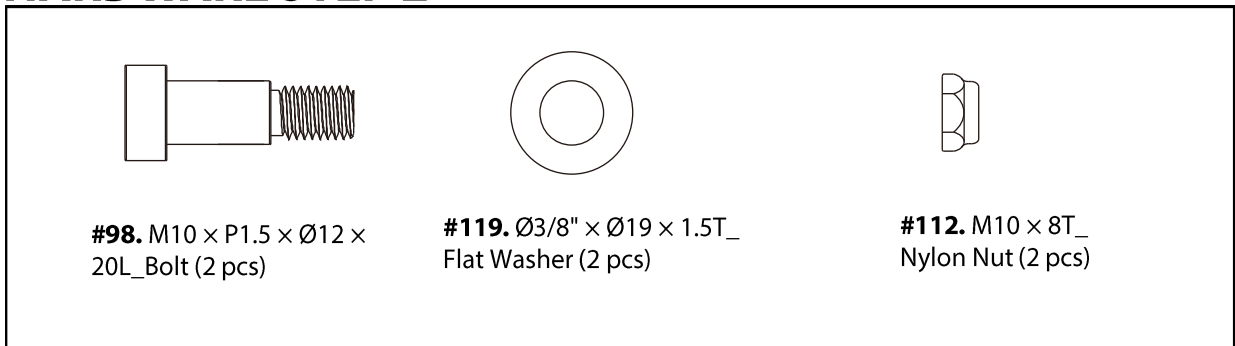
The climber is equipped with two transport wheels which are engaged when the rear of the climber is lifted.

# CC81 ASSEMBLY PACK CHECKLIST

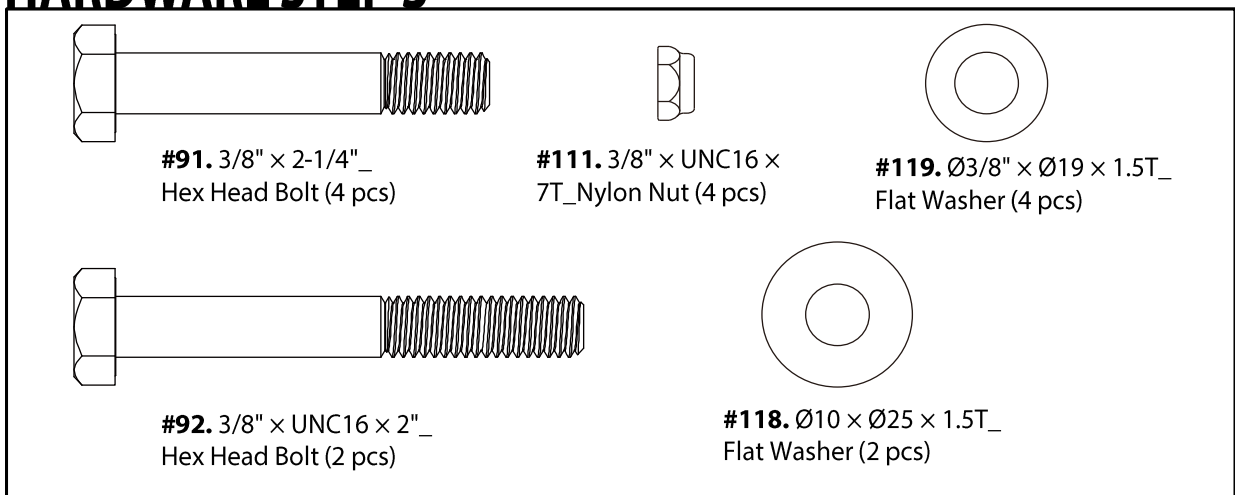
## 1 HARDWARE STEP 1



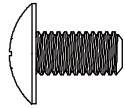
## 2 HARDWARE STEP 2



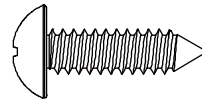
## 3 HARDWARE STEP 3



# 4 HARDWARE STEP 4

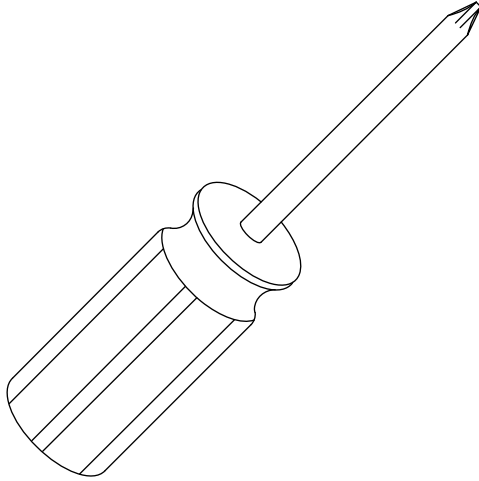


#100. M5 × P0.8 × 10L\_  
Phillips Head Screw (8 pcs)

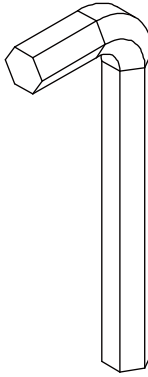


#102. 3.5 × 12mm\_  
Sheet Metal Screw (6 pcs)

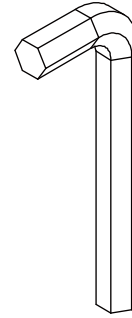
## ASSEMBLY TOOLS



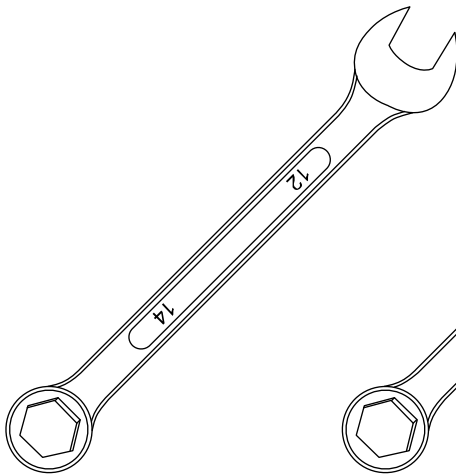
#137. Phillips Head Screwdriver



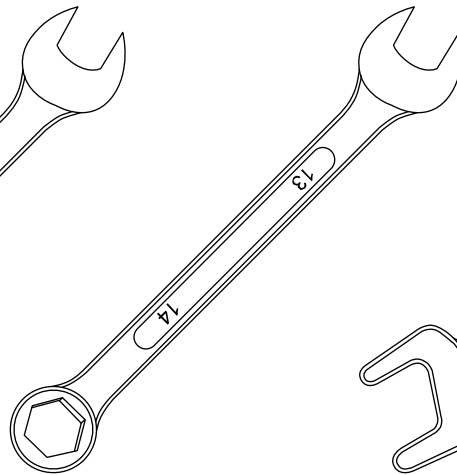
#138. 8mm L Allen Wrench



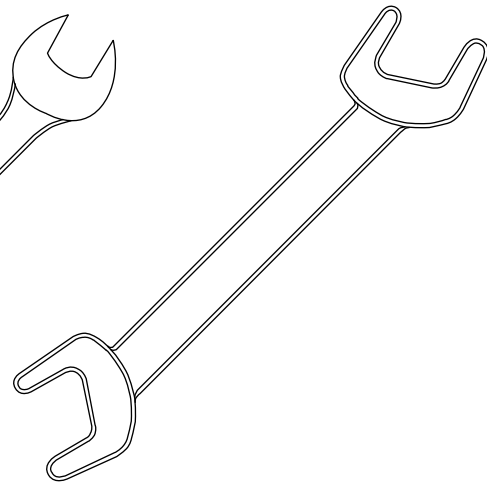
#140. 6mm L Allen Wrench



#136. 12/14mm Wrench



#135. 13/14mm Wrench



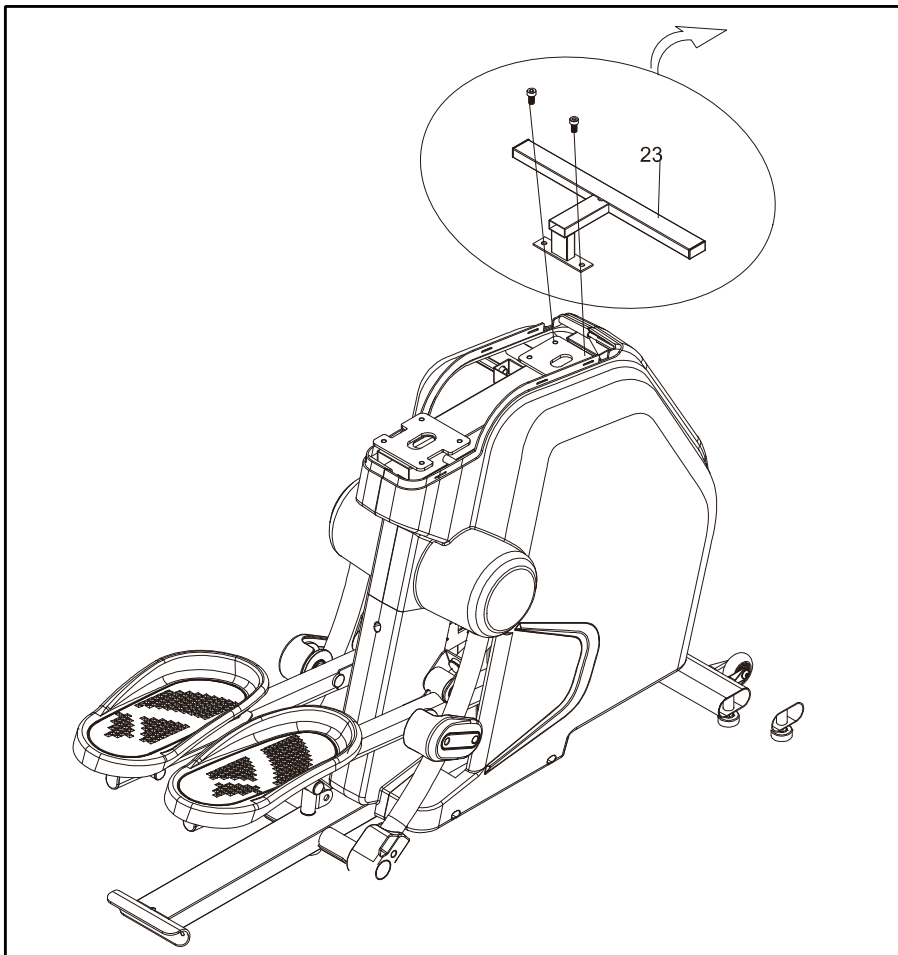
#139. 17mm\_Wrench

# CC81 ASSEMBLY INSTRUCTIONS

## PRE-ASSEMBLY

1. Using a razor knife (Box Cutter), cut the outside, bottom, edge of box along the dotted Line. Lift Box over the unit and unpack.
2. Carefully remove all parts from carton and inspect for any damage or missing parts. If damaged parts are found or parts are missing, contact your dealer immediately.
3. Locate the hardware package. Remove the tools first. Remove the hardware for each step as needed to avoid confusion. The numbers in the instructions that are in parenthesis (#) are the item number from the assembly drawing for reference.

## REMOVE SHIPPING STABILIZER

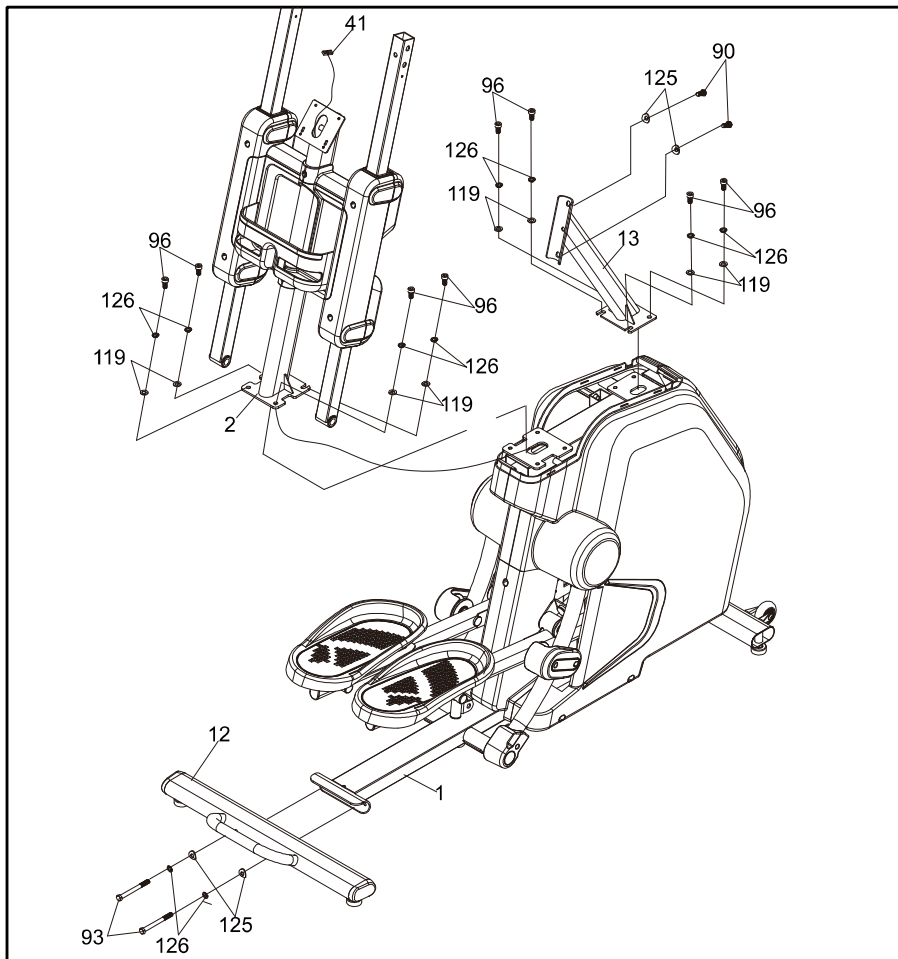


1. Use L Allen Wrench (**138**) to remove two Socket Head Cap Bolts retaining the shipping stabilizer (**23**) onto the mounting plate on the Main Frame. Remove the stabilizer and discard.



# 1

## REAR STABILIZER/CONSOLE MAST ASSEMBLY



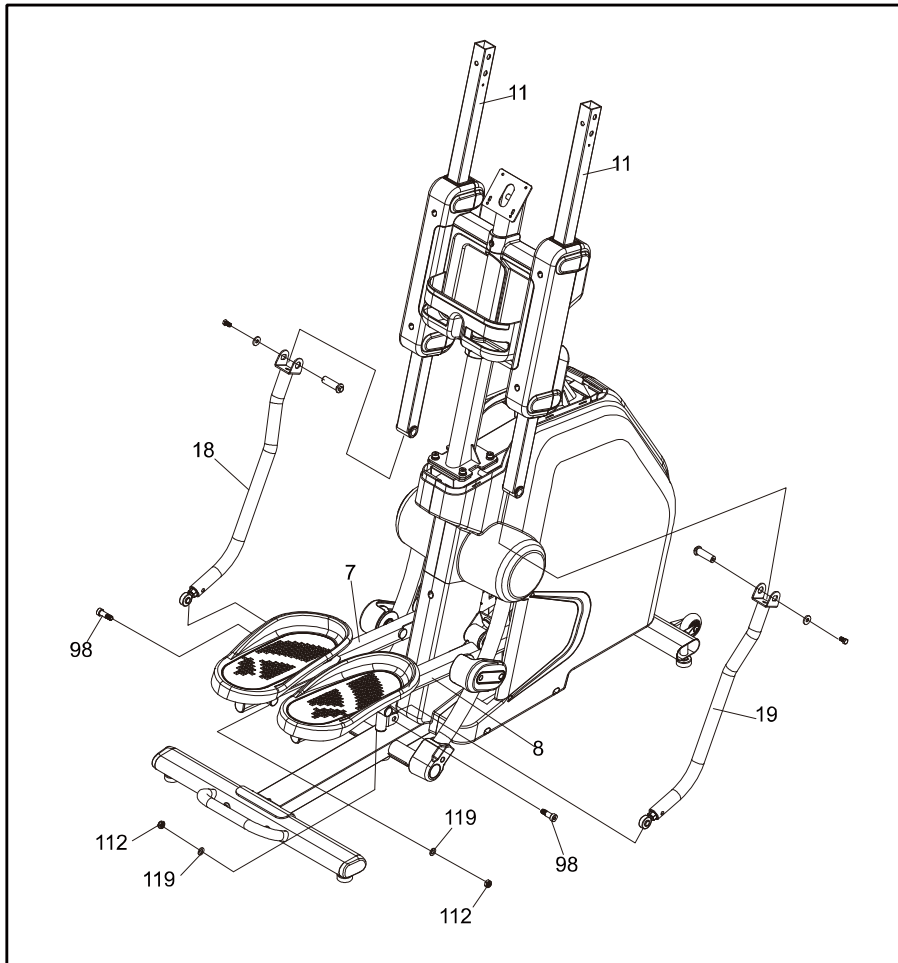
### HARDWARE STEP 1

- #93. 3/8" × 3-3/4" Hex Head Bolt (2 pcs)
- #90. 3/8" × 3/4" Hex Head Bolt (2 pcs)
- #96. 3/8" × 3/4" Socket Head Cap Bolt (8 pcs)
- #119. Ø3/8" × Ø19 × 1.5T Flat Washer (8 pcs)
- #125. Ø3/8" × 23 × 2.0T Curved Washer (4 pcs)
- 126. Ø10 × 2T Split Washer (10 pcs)

1. Attach Rear Stabilizer with handle (12) to mounting plate on the mainframe and secure with two Hex Head Bolts (93), two Split Washers (126) and Curved Washers (125) by using Wrench (135).
2. Route the Computer Cable (41) through the bottom of the Main Mast (2) and out of the mast on top using the wire snake that is attached to the cable. Secure the Main Mast on the mounting plate on the Main Frame with four Socket Head Cap Bolts (96), four Split Washers (126) and four Flat Washers (119) by using L Allen Wrench (138). Use extreme caution during this step to ensure the cable does not get pinched between the mast and mainframe.
3. Secure the Support Member (13) on the mounting plate of the Main Frame and Main Mast (2) with four Socket Head Cap Bolts (96), four Split Washers (126), four Flat Washers (119), two Hex Head Bolts (90) and two Curved Washers (125) by using L Allen Wrench (138) and Wrench (135).

# 2

## SIDE TUBE ASSEMBLY

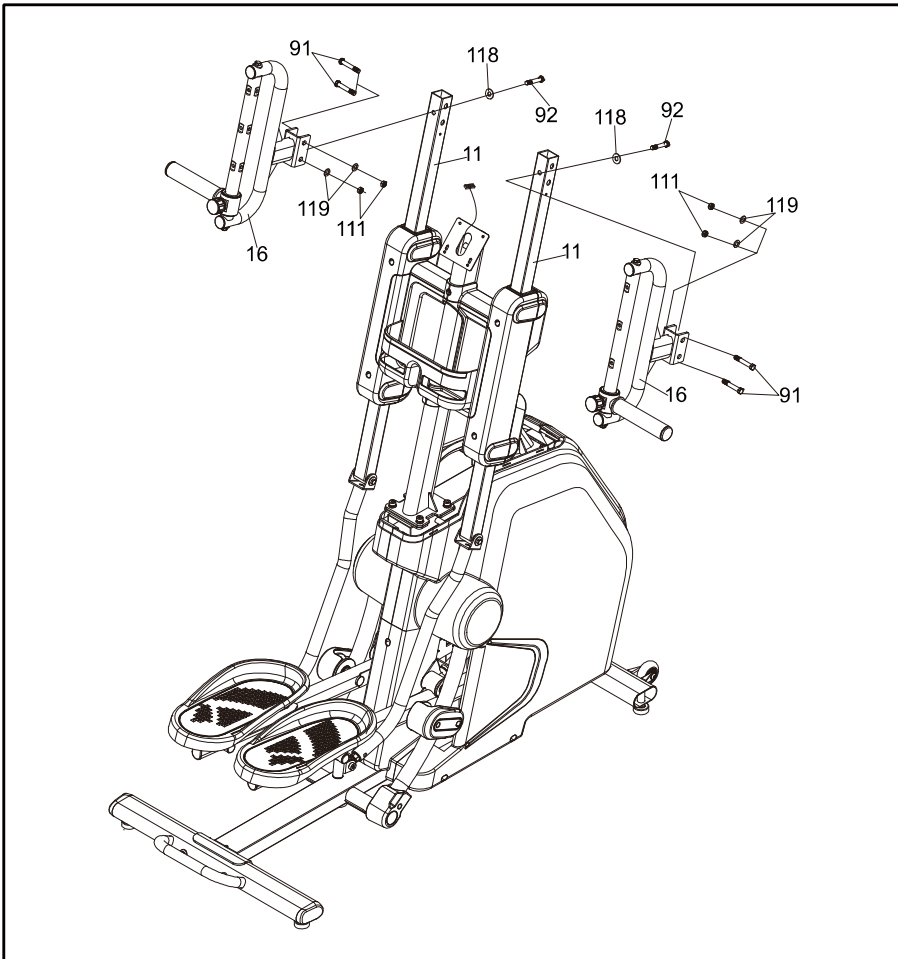


### HARDWARE STEP 2

- #98. M10 × P1.5 × Ø12 × 20L\_Bolt (2 pcs)
- #112. M10 × 8T\_Nylon Nut (2 pcs)
- #119. Ø3/8" × Ø19 × 1.5T\_Flat Washer (2 pcs)

1. Top part: Remove the pre-installed axle and screw from the top of the Left Side Tube (18). Now assemble the Left Side Tube to the Vertical Arm (11) with the axle and screw removed previously. Make sure the axle is aligned with the indentation of the U-bracket on the Left Side Tube (18) when assembling. Repeat the same procedures on the Right Side Tube assembly.  
Bottom part: Connect the rod end bearing with the U-bracket of the left pedal tube and then fasten with one Bolt (98), one Flat Washer (119), and one Nylon Nut (112) by using Wrench (139) and 6mm L Allen Wrench (140). Repeat the same procedures on the Right Side Tube assembly.

# 3 HANDGRIP ASSEMBLY



## HARDWARE STEP 3

- #91. 3/8" × 2-1/4" \_Hex Head Bolt (4 pcs)
- #92. 3/8" × UNC16 × 2" \_Hex Head Bolt (2 pcs)
- #111. 3/8" × UNC16 × 7T\_Nylon Nut (4 pcs)
- #118. Ø10 × Ø25 × 1.5T\_ Flat Washer (2 pcs)
- #119. Ø3/8" × Ø19 × 1.5T\_ Flat Washer (4 pcs)

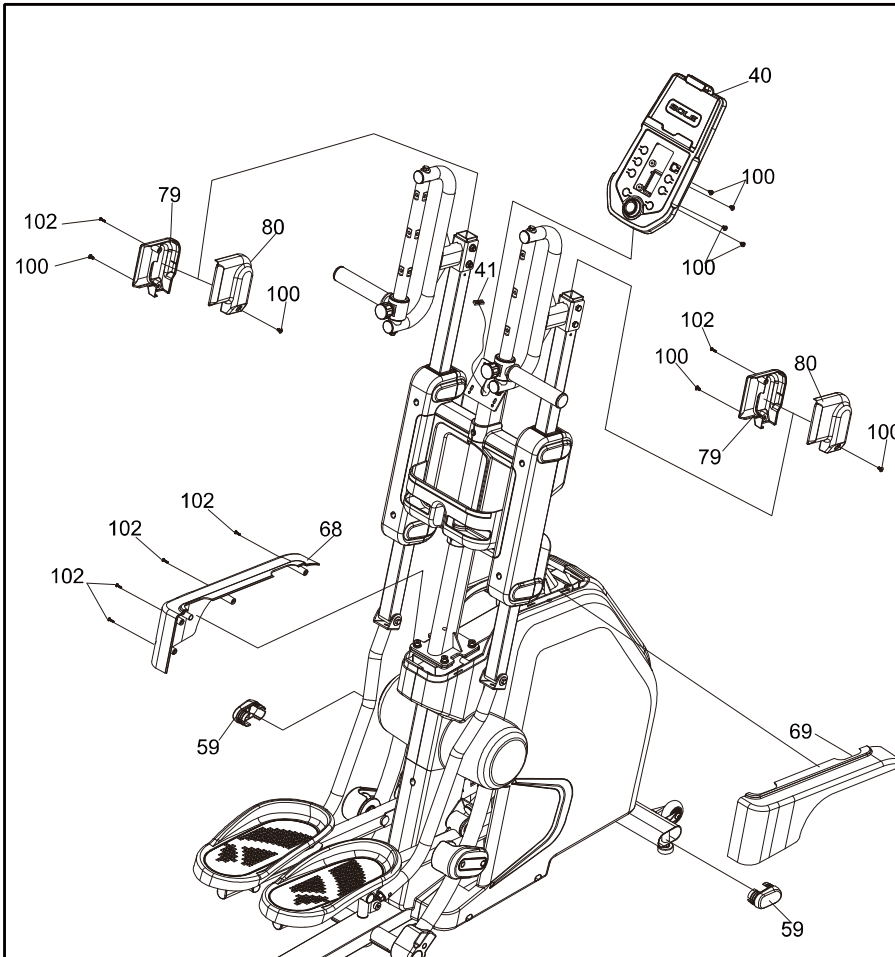
1. Secure then left side of the Handgrip Assembly (16) on the Vertical Tube (11) with two Hex Head Bolts (91), two Flat Washers (119), two Nylon Nuts (111), one Hex Head Bolt (92) and one Flat Washer (118) by using Wrench (135) and Wrench (136). Repeat the same procedure for the right side of the Handgrip Assembly (16).

# 4 CONSOLE / COVERS ASSEMBLY

## HARDWARE STEP 4

#100. M5 × P0.8 × 10L\_  
Phillips Head Screw  
(8 pcs)

#102. 3.5 × 12mm\_  
Sheet Metal Screw (6 pcs)



1. Connect the Computer Cable (**41**) into the Console (**40**). Place the Console on the mounting plate of the Main Mast and secure with four Phillips Head Screws (**100**) by using Phillips Head Screwdriver (**137**).
2. Match Left Console Mast Cover (**68**) with Right Console Mast Cover (**69**) on top of left and right Side Covers and around the Console Mast and secure with four Sheet Metal Screws (**102**) by using Phillips Head Screwdriver (**137**).
3. Match Left and Right Handgrip Caps (**79, 80**) together on left side of Handgrip Stabilizer Assembly and use two Phillips Head Screws (**100**) and one Sheet Metal Screw (**102**) by using Phillips Head Screwdriver (**137**). Match Left and Right Handgrip Caps (**79, 80**) together on right side of Handgrip Stabilizer Assembly and secure with the same way and same amount of hardware.

# OPERATION OF YOUR FITNESS CLIMBER

## GETTING FAMILIAR WITH THE CONTROL PANEL

### CC81 CONSOLE



#### POWER UP

Upon power-up, the console will display all light up all the characters, and the Time window will show the total time the climber has been used since it was new. Total Step window will show the total steps since new. The Message Window display will show the software version (i.e., VER 1.0). The console goes to the start-up display after 3 seconds. Your climber is now ready for use.

#### QUICK START

This is the quickest way to start a workout. After the console powers up, you just press the **Start** key to begin; this will initiate the Quick Start mode. In Quick Start, the time will count up from zero, and the workload/resistance may be adjusted manually by rotating the **Level knob**. You may press the **Stop** key once to enter the pause mode and press the **Start** key to resume the workout. Press the **Stop** key twice to exit the program.

# PROGRAMMABLE FEATURES

## MANUAL PROGRAM

The Manual program works, as the name implies, manually. This means that you control the workload yourself and not the computer.

1. Press the **Manual** key, then press the **Enter** key.
2. It will ask you to enter your Age. You may adjust the age setting using the **Level knob**, then press the Enter key to accept the new number and proceed on to the next screen.
3. You are now asked to enter your Weight. You may adjust your weight setting using the **Level knob**; then press Enter to continue.
4. Next is the Time. You may adjust the length of Time using the **Level knob**; then press Enter to continue.
5. Now you are finished editing the settings and can begin your workout by pressing the **Start** key. You can also go back and modify your settings by pressing the **Stop** key to go back one level of the program setting.
6. Once the program starts, you will be at level one. This is the easiest level, and it is a good idea to stay at level one for a while to warm up. If you want to increase/decrease the workload at any time, rotate the **Level knob**.
7. During the Manual program, you will be able to adjust the level manually by rotating the **Level knob**.
8. During the Manual program, you may press the **Stop** key once to enter the pause mode and press the **Start** key to resume the workout. Press the **Stop** key twice to exit the program.
9. When the program ends, the display will show a summary of your workout. The summary will be displayed for a short time; then, the console will return to the start-up display.

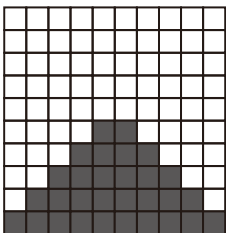
## PRESET PROGRAMS

The Climber has five different programs that have been designed for a variety of workouts. These five programs have factory preset work level profiles for achieving different goals.

### Hill

The Hill program simulates going up and down a hill. The resistance in the pedals will steadily increase and then decrease during the program.

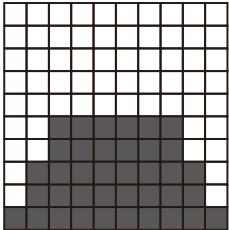
LEVEL



## Fat Burn

The Fat Burn program is designed, as the name implies, to maximize the burning of fat. There are many schools of thought on the best way to burn fat, but most experts agree that a lower exertion level that stays at a steady workload is the best. The absolute best way to burn fat is to keep your heart rate at around 60% to 70% of its maximum potential. This program does not use heart rate but simulates a lower, steady exertion workout.

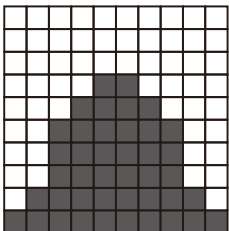
LEVEL



## Cardio

The Cardio program is designed to increase your cardiovascular function and endurance. This is exercise for your heart and lungs. It will build up your heart muscle and increase blood flow and lung capacity. This is achieved by incorporating a higher level of exertion with slight fluctuations in work.

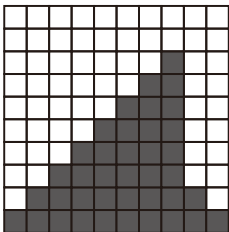
LEVEL



## Strength

The Strength program is designed to increase muscular strength in your lower body. This program will steadily increase in resistance to a high level and forces you to sustain it. This is designed to strengthen and tone your legs and glutes (muscles of the butt).

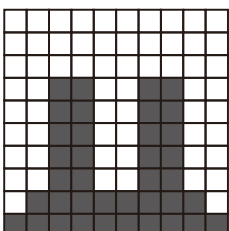
LEVEL



## HIIT

The HIIT program takes you through high levels of intensity, followed by periods of low intensity. This program increases your endurance by depleting your oxygen level, followed by periods of recovery to replenish oxygen. Your cardiovascular system gets programmed to use oxygen more efficiently this way. This program also forces your body to become more efficient due to spikes in heart rate between recovery periods. This aids in heart rate recovery from intense activities.

LEVEL



# HEART RATE PROGRAMS

## Before we get started, a word about Heart Rate:

The old motto, "no pain, no gain," is a myth that has been overpowered by the benefits of exercising comfortably. A great deal of this success has been promoted by the use of heart rate monitors. With the proper use of a heart rate monitor, many people find that their usual choice of exercise intensity was either too high or too low, and exercise is much more enjoyable by maintaining their heart rate in the desired benefit range.

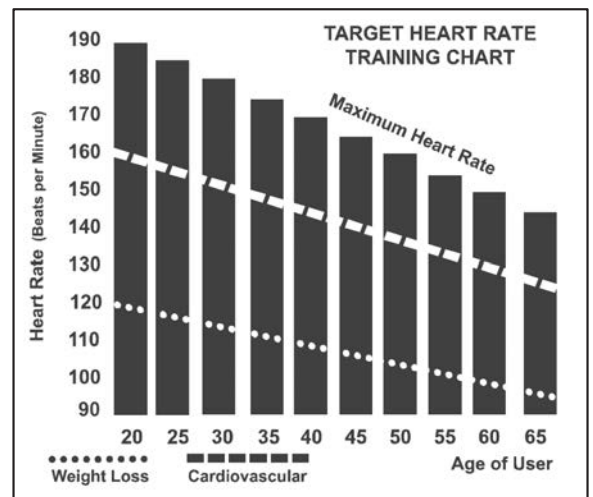
To determine the benefits range in which you wish to train, you must first determine your Maximum Heart Rate. This can be accomplished by using the following formula: 220 minus your age. This will give you the Maximum Heart Rate (MHR) for someone of your age. To determine the effective heart rate range for specific goals, you simply calculate a percentage of your MHR. Your Heart rate training zone is 50% to 90% of your maximum heart rate. 60% of your MHR is the zone that burns fat, while 80% is for strengthening the cardiovascular system. This 60% to

80% is the zone to stay in for maximum benefit.

For someone who is 40 years old their target heart rate zone is calculated:

$220 - 40 = 180$  (maximum heart rate)  
 $180 \times .6 = 108$  beats per minute (60% of maximum)  
 $180 \times .8 = 144$  beats per minute (80% of maximum)

So for a 40-year-old, the training zone would be 108 to 144 beats per minute.



The two most popular reasons for, or goals, of exercise are cardiovascular fitness (training for the heart and lungs) and weight control. The black columns on the chart above represent the MHR for a person whose age is listed at the bottom of each column. The training heart rate, for either cardiovascular fitness or weight loss, is represented by two different lines that cut diagonally through the chart. A definition of the lines' goal is in the bottom left-hand corner of the chart. If your goal is cardiovascular fitness or if it is weight loss, it can be achieved by training at 80% or 60%, respectively, of your MHR on a schedule approved by your physician. Consult your physician before participating in any exercise program.



# RATE OF PERCEIVED EXERTION

Heart rate is important but listening to your body also has a lot of advantages. There are more variables involved in how hard you should work out than just heart rate. Your stress level, physical health, emotional health, temperature, humidity, the time of day, the last time you ate and what you ate all contribute to the intensity at which you should workout. If you listen to your body, it will tell you all of these things.

The rate of perceived exertion (RPE), also known as the Borg scale, was developed by Swedish physiologist G.A.V. Borg. This scale rates exercise intensity from 6 to 20 depending upon how you feel or the perception of your effort.

The scale is as follows: Rating

Perception of Effort

**6** Minimal

**7** Very, very light

**8** Very, very light +

**9** Very light

**10** Very light +

**11** Fairly light

**12** Comfortable

**13** Somewhat hard

**14** Somewhat hard +

**15** Hard

**16** Hard +

**17** Very hard

**18** Very hard +

**19** Very, very hard

**20** Maximal

You can get an approximate heart rate level for each rating by simply adding a zero to each rating. For example, a rating of 12 will result in an approximate heart rate of 120 beats per minute. Your RPE will vary depending on the factors discussed earlier. That is the major benefit of this type of training. If your body is strong and rested, you will feel strong, and your pace will feel easier. When your body is in this condition, you are able to train harder, and the RPE will support this. If you are feeling tired and sluggish, it is because your body needs a break. In this condition, your pace will feel harder. Again, this will show up in your RPE, and you will train at the proper level for that day.

# MAINTENANCE MENU IN CONSOLE SOFTWARE

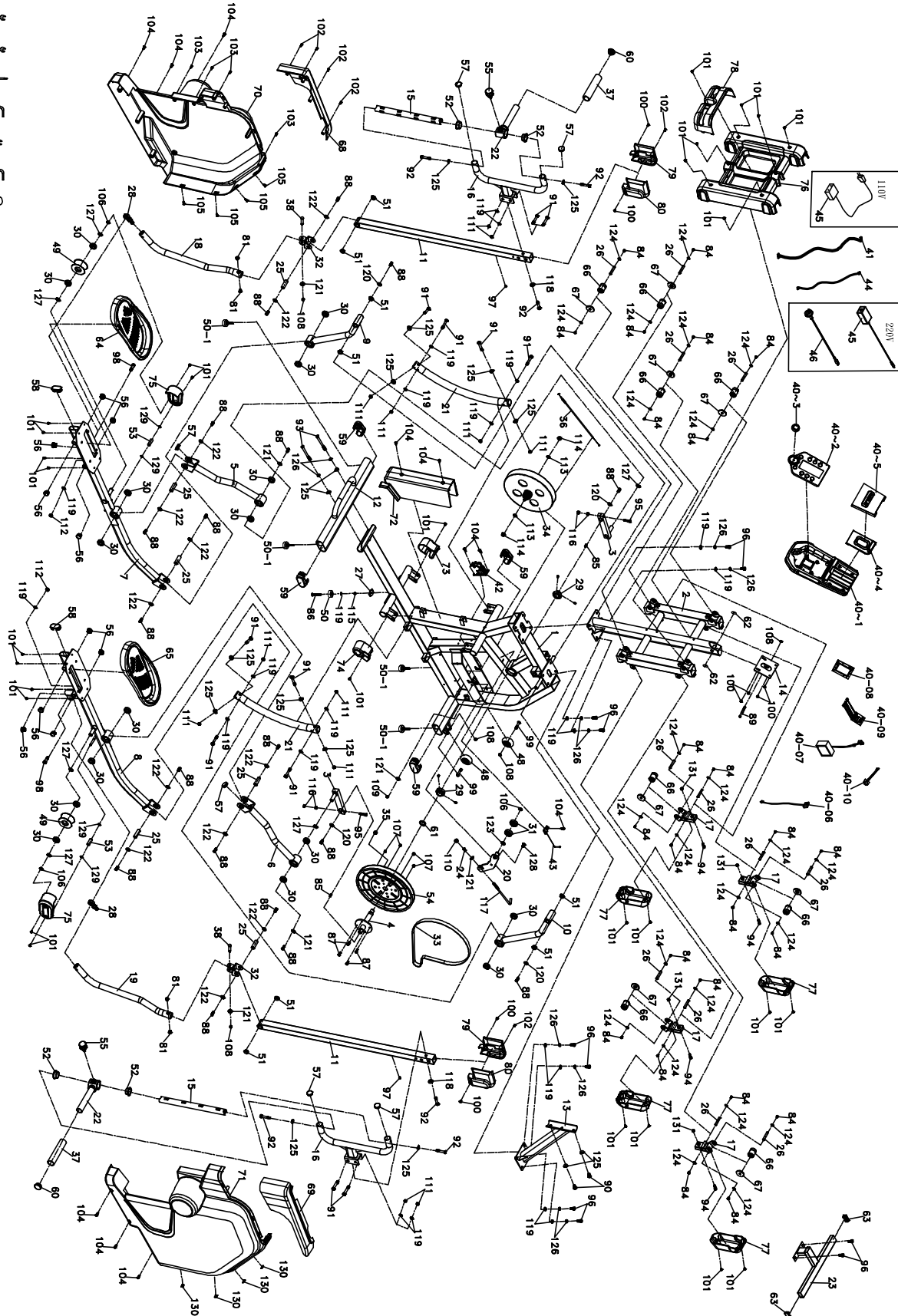
The console has built-in maintenance/diagnostic software. The software will allow you to change the console settings from English to Metric and turn off the beeping of the speaker when a key is pressed, for example. To enter the Maintenance Menu (may be called Engineering Mode, depending on version), press and hold down the **Start**, **Stop** and **Enter** keys keep holding the keys down for about 2 seconds, and the **Message Window** will display "Engineering Mode." Press the **Enter** button to access the menu below. Rotate the Level knob to navigate the menu, then press Enter.

- A. **Key Test**- Will allow you to test all the keys to make sure they are functioning
- B. **Display Test**- Automatically tests all LCD's
- C. **Functions**- Press **Enter** to access settings, use **Level knob** to scroll
  - i. **ODO Reset**- Resets the odometer
  - ii. **Units**- Choose from English(Imperial) or Metric display readings
  - iii. **Display Mode**- Turn off to have the console power down automatically after 30 minutes of inactivity
  - iv. **Motor Test**- Continually runs the tensioning gear motor
  - v. **Manual**- Allows stepping of the gear motor
  - vi. **Pause Mode**- Turn on to allow 5 minutes of pause, turn off to have console pause indefinitely
  - vii. **Key Tone**- Turn on or off the beep sound when a key is pressed
- D. **Factory Set**
- E. **Exit**- Select to exit Maintenance Menu

# EXPLODED VIEW DIAGRAM

- 135
- 136
- 137
- 138
- 139
- 140

1091026



# PARTS LIST

Key	Part	Part Description	Qty
1	9408101	Main Frame	1
2	9408102	Main Mast	1
3	9408103	Crank Arm	2
4	9408104	Crank Axle	1
5	9408105	Linked Assembly (L)	1
6	9408106	Linked Assembly (R)	1
7	9408107	Connecting Arm (L)	1
8	9408108	Connecting Arm (R)	1
9	9408109	Left Swing Assembly	1
10	9408110	Right Swing Assembly	1
11	9408111	Vertical Arm	2
12	9408112	Rear Stabilizer with handle	1
13	9408113	Support Member	1
14	9408114	Console Holder Assembly	1
15	9408115	Mast Handle bar Assembly	2
16	9408116	Handgrip Assembly	2
17	9408117	Idler Wheel Assembly	4
18	9408118	Left Side Tube	1
19	9408119	Right Side Tube	1
20	9408120	Idler Wheel Assembly	1
21	9408121	Rail Tube	2
22	9408122	Mast Handle bar Assembly	2
23	9408123	Side Back	1
24	9408124	Rod End Sleeve	1
25	9408125	Axle	6
26	9408126	Pulley Fixing Axle	12
27	9408127	Foot Pad Adjusting Plate	1
28	9408128	M12 × P1.75_Rod End Bearing	2
29	9408129	6005_Bearing	2
30	9408130	6003_Bearing	16
31	9408131	6203_Bearing	2
32	9408132	Driving Assembly	2
33	9408133	8J500 Drive Belt	1
34	9408134-1	Flywheel	1
35	9408135	Magnet	1
36	9408136-1	Steel Cable	1
37	9408137	Handgrip Foam	2
38	9408138	Swing Shaft Screw	2
40	9408140	Console Assembly	1
41	9408141	1350m/m_Computer Cable	1

<b>Key</b>	<b>Part</b>	<b>Part Description</b>	<b>Qty</b>
42	9408142	Gear Motor	1
43	9408143	300m/m_Sensor W/Cable	1
44	9408144	970m/m_DC Power Cable	1
45	9408145	Power Adaptor	1
46	9408146	Transformer Power Cord (Optional)	1
48	9408148	Transportation Wheel	2
49	9408149	Ø72_Slide Wheel , Urethane	2
50	9408150	Ø35 × 10m/m_Rubber Foot	1
50-1	9408150-1	Rubber Foot Assembly	4
51	9408151	Bushing (WFM-1719-12)	8
52	9408152	Bushing	4
53	9408153	Sleeve	2
54	9408154	Drive Pulley	1
55	9408155	Locking Knob	2
56	9408156	25.4 × 2.0T_Round Cap	10
57	9408157	Ø32 × 1.8T_Round Cap	6
58	9408158	Oval End Cap	2
59	9408159	Ø40 × Ø80_Oval End Cap	4
60	9408160	Ø32(1.8T)_Button Head Plug	2
61	9408161	Spacer Bushing	1
62	9408162	5/16" × 25 × 3T_Nylon Washer	2
63	9408163	20mm × 40mm_Square End Cap	2
64	9408164	Pedal (L)	1
65	9408165	Pedal (R)	1
66	9408166	Track wheel	8
67	9408167	Plastic wheel	8
68	9408168	Console Mast Cover (L)	1
69	9408169	Console Mast Cover (R)	1
70	9408170	Chain Cover (L)	1
71	9408171	Chain Cover(R)	1
72	9408172	Rear Shroud	1
73	9408173	Left Slider Cover	1
74	9408174	Right Slider Cover	1
75	9108175	Slide Wheel Cover	2
76	9408176	Slider Cover A	1
77	9408177	Slider Cover B	4
78	9408178	Beverage Holder	1
79	9408179	Handgrip Cap (L)	2
80	9408180	Handgrip Cap (R)	2
81	9408181	Bushing	4
84	9408184	M5 × P0.8 × 10L_Hex Head Bolt	24

<b>Key</b>	<b>Part</b>	<b>Part Description</b>	<b>Qty</b>
85	9408185	7 × 7 × 19m/m_Woodruff Key	2
86	9408186	3/8" × 2" _Flat Head Socket Bolt	1
87	9408187	1/4" × UNC20 × 3/4" _Hex Head Bolt	4
88	9408188	5/16" × 15m/m _Hex Head Bolt	18
89	9408189	5/16" × 2-1/2" _Hex Head Bolt	1
90	9408190	3/8" × 3/4" _Hex Head Bolt	2
91	9408191	3/8" × 2-1/4" _Hex Head Bolt	12
92	9408192	3/8" × UNC16 × 2" _Hex Head Bolt	6
93	9408193	3/8" × 3-3/4" _Hex Head Bolt	2
94	9408194	M8 × P1.25 × 25L _Socket Head Cap	4
95	9408195	M8 × 35m/m _Socket Head Cap Bolt	2
96	9408196	3/8" × 3/4" _Socket Head Cap Bolt	10
97	9408197	M5 × 6L _Socket Head Cap Bolt	2
98	9408198	M10 × P1.5 × Ø12 × 20L _Bolt	2
99	9408199	5/16" × UNC18 × 1-3/4" _Button Head	2
100	94081100	M5 × P0.8 × 10L _Phillips Head Screw	8
101	94081101	M5 × 10m/m _Phillips Head Screw	29
102	94081102	3.5 × 12m/m _Sheet Metal Screw	6
103	94081103	3.5 × 16m/m _Sheet Metal Screw	4
104	94081104	5 × 19m/m _Tapping Screw	11
105	94081105	5 × 16m/m _Tapping Screw	4
106	94081106	Ø17 _C Ring	3
107	94081107	1/4" × 8T _Nylon Nut	4
108	94081108	5/16" × UNC18 × 7T _Nylon Nut	5
109	94081109	M8 × 7T _Nylon Nut	1
110	94081110	M8 × 9T _Nylon Nut	1
111	94081111	3/8" × UNC16 × 7T _Nylon Nut	12
112	94081112	M10 × 8T _Nylon Nut	2
113	94081113	3/8" × UNF26 × 4T _Nut	2
114	94081114	3/8" × UNF26 × 11T _Nut	2
115	94081115	3/8" × UNC16 × 7T _Nut	1
116	94081116	M8 × 6.3T _Nut	4
117	94081117	M8 × 155m/m _J Bolt	1
118	94081118	Ø10 × Ø25 × 1.5T _Flat Washer	2
119	94081119	Ø3/8" × Ø19 × 1.5T _Flat Washer	23
120	94081120	Ø8.5 × Ø26 × 2.0T _Flat Washer	4
121	94081121	Ø5/16" × Ø23 × 1.5T _Flat Washer	6
122	94081122	Ø5/16" × Ø23 × 3T _Flat Washer	12
123	94081123	Ø17 × Ø23.5 × 1.0T _Flat Washer	1
124	94081124	Ø5 × Ø15 × 1.5T _Flat Washer	24
125	94081125	Ø3/8" × 23 × 2.0T _Curved Washer	16

<b>Key</b>	<b>Part</b>	<b>Part Description</b>	<b>Qty</b>
126	94081126	Ø10 × 2T_Spring Washer	10
127	94081127	Ø17 × 0.3T_Wave Washer	6
128	94081128	M8 × 20m/m Carriage Bolt	1
129	94081129	E7(7 × 14 × 0.8T)_E-Clip	4
130	94081130	M5_Speed Nut Clip	4
131	94081131	M8 × P1.25 × 4T_Nut	4
135	94081135	13/14m/m Wrench (160mm)	1
136	94081136	12/14m/m Wrench (160mm)	1
137	94081137	Phillips Head Screwdriver	1
138	94081138	8mm L Allen Wrench	1
139	94081139	17m/m Wrench	1
140	94081140	6m/m_ L Allen Wrench	1

# MANUFACTURER'S LIMITED WARRANTY

## CLIMBER WARRANTY

Dyaco Canada Inc. warrants all its Sole climber parts, for a period of time listed below, from the date of retail sale. Dyaco Canada Inc.'s responsibilities include providing new or remanufactured parts at Dyaco Canada Inc.'s option and technical support to our independent dealers and servicing organizations. In the absence of a dealer or service organization, these warranties will be administered by Dyaco Canada Inc. directly to a consumer. The warranty period applies to the following components:

Labour / Frame Weldments	2 Years / Lifetime
Electronics	5 Years
Parts	5 Years

\* Cosmetic items including, but not limited to, the following: grips, console overlays, and labels/decals.

## NORMAL RESPONSIBILITIES OF THE CONSUMER

This warranty applies only to products in ordinary household use, and the consumer is responsible for the items listed below:

1. The warranty registration can be completed online: Go to [www.dyaco.ca/warranty.html](http://www.dyaco.ca/warranty.html) and complete the online warranty registration.
2. Proper use of the climber in accordance with the instructions provided in this manual.
3. Proper installation in accordance with instructions provided with the climber and with all local electric codes.
4. Proper connection to a grounded power supply of sufficient voltage, replacement of blown fuses, repair of loose connections or defects in house wiring.
5. Expenses for making the climber accessible for servicing, including any item that was not part of the climber at the time it was shipped from the factory.
6. Damages to the climber finish during shipping, installation or following installation.
7. Routine maintenance of this unit as specified in this manual.

## EXCLUSIONS

This warranty does not cover the following:

1. CONSEQUENTIAL, COLLATERAL, OR INCIDENTAL DAMAGES SUCH AS PROPERTY DAMAGE AND INCIDENTAL EXPENSES RESULTING FROM ANY BREACH OF THIS WRITTEN OR ANY IMPLIED WARRANTY.  
Note: Some areas do not allow the exclusion or limitation of incidental or consequential damages, so this limitation or exclusion may not apply to you.
2. Service call reimbursement to the consumer. Service call reimbursement to the dealer that does not involve malfunction or defects in workmanship or material, for units that are beyond the warranty period, for units that are beyond the service call reimbursement period, for climber not requiring component replacement or climber not in ordinary household use.
3. Damages caused by services performed by persons other than authorized Dyaco Canada Inc. service companies; use of parts other than original Dyaco Canada Inc. parts; or external causes such as corrosion, discoloration of paint or plastic, alterations, modifications, abuse, misuse, accident, improper maintenance, inadequate power supply, or acts of God.
4. Products with original serial numbers that have been removed or altered.
5. Products that have been: sold, transferred, bartered, or given to a third party.
6. Products that do not have a warranty registration card on file at Dyaco Canada Inc. Dyaco Canada Inc. reserves the right to request proof of purchase if no warranty record exists for the product.
7. THIS WARRANTY IS EXPRESSLY IN LIEU OF ALL OTHER WARRANTIES EXPRESSED OR IMPLIED, INCLUDING THE WARRANTIES OF MERCHANTABILITY AND/OR FITNESS FOR A PARTICULAR PURPOSE.
8. Product use in any environment other than a residential setting.
9. Warranties outside of North America may vary. Please contact your local dealer for details.

## SERVICE

Keep your bill of sale. The labour warranty period is twenty-four (24) months from the date on the bill of sale. If service is performed, it is in your best interest to obtain and keep all receipts. This written warranty gives you specific legal rights. You may also have other rights that vary in different areas. Service under this warranty must be obtained by following these steps, in order:

1. Contact your selling authorized SOLE dealer.
2. If you have any questions about your new product or questions about the warranty, contact Dyaco Canada Inc. at 1-888-707-1880.
3. If no local service is available, Dyaco Canada Inc. will repair or replace the parts, at Dyaco Canada Inc.'s option, within the warranty period at no charge for parts. All transportation costs, both to our factory and upon return to the owner, are the responsibility of the owner.

The owner is responsible for adequate packaging upon return to Dyaco Canada Inc. Dyaco Canada Inc. is not responsible for damages that occur during shipping. Make all freight damage claims with the appropriate freight carrier. DO NOT SHIP ANY UNIT TO OUR FACTORY WITHOUT A RETURN AUTHORIZATION NUMBER. All units arriving without a return authorization number will be refused.

4. For any further information, or to contact our service department by mail, send your correspondence to:

Dyaco Canada Inc.  
5955 Don Murie Street  
Niagara Falls, ON  
L2G 0A9

Product features or specifications as described or illustrated are subject to change without notice. All warranties are made by Dyaco Canada



# dyaco

Please visit us online for information about our other brands and products manufactured and distributed by Dyaco Canada Inc.

**SPIRIT**

[spiritfitness.ca](http://spiritfitness.ca)

**X** XTERRA

[xterrafitness.ca](http://xterrafitness.ca)

**UFC**

[dyaco.ca/UFC/UFC-home.html](http://dyaco.ca/UFC/UFC-home.html)

**SOLE**  
FITNESS

[solefitness.ca](http://solefitness.ca)

**EVERLAST**

[dyaco.ca/products/everlast.html](http://dyaco.ca/products/everlast.html)

 Johnny G  
by **SPIRIT**

[spiritfitness.ca/johnnyg.html](http://spiritfitness.ca/johnnyg.html)

**TRAINOR**  
**SPORTS**

[trainorsports.ca](http://trainorsports.ca)

For more information, please contact Dyaco Canada Inc.

T: 1-888-707-1880 | 5955 Don Murie St., Niagara Falls, Ontario L2G 0A9 | [sales@dyaco.ca](mailto:sales@dyaco.ca)

**SOLE**  
FITNESS